

ASSESSOR'S RECORD MAP

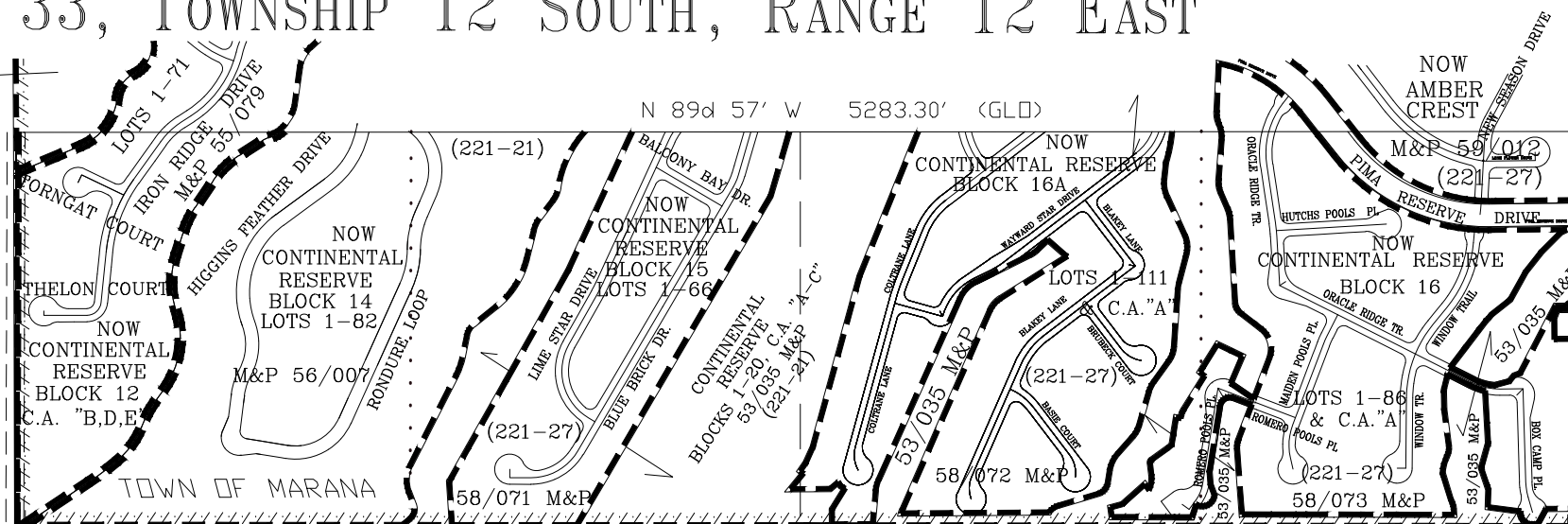
(SEE MINERAL MAP FOR THIS SECTION)

SECTION 33, TOWNSHIP 12 SOUTH, RANGE 12 EAST

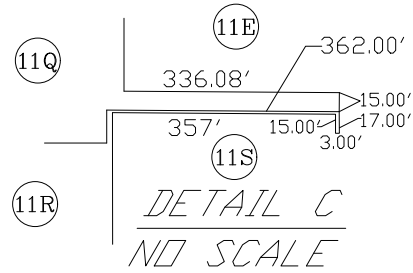
ALL IN NORTHWEST F.D.

221-26
221-27
221-28
221-29
221-21 (SUB)

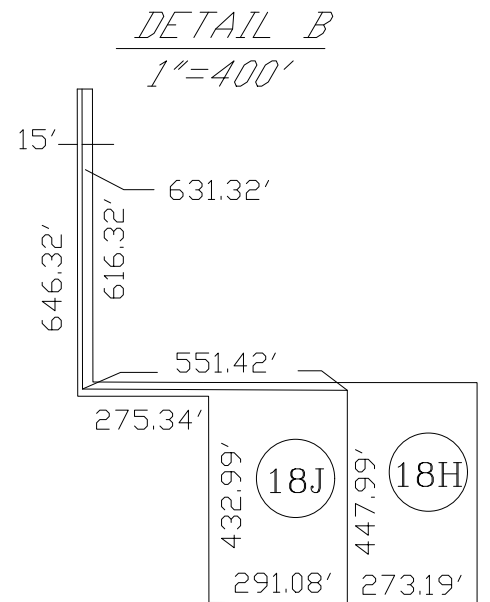
NOW
CONTINENTAL
RESERVE
BLOCK 10
LOTS 1-69
M&P 56/009
(221-21)



DETAIL A
1"=300'

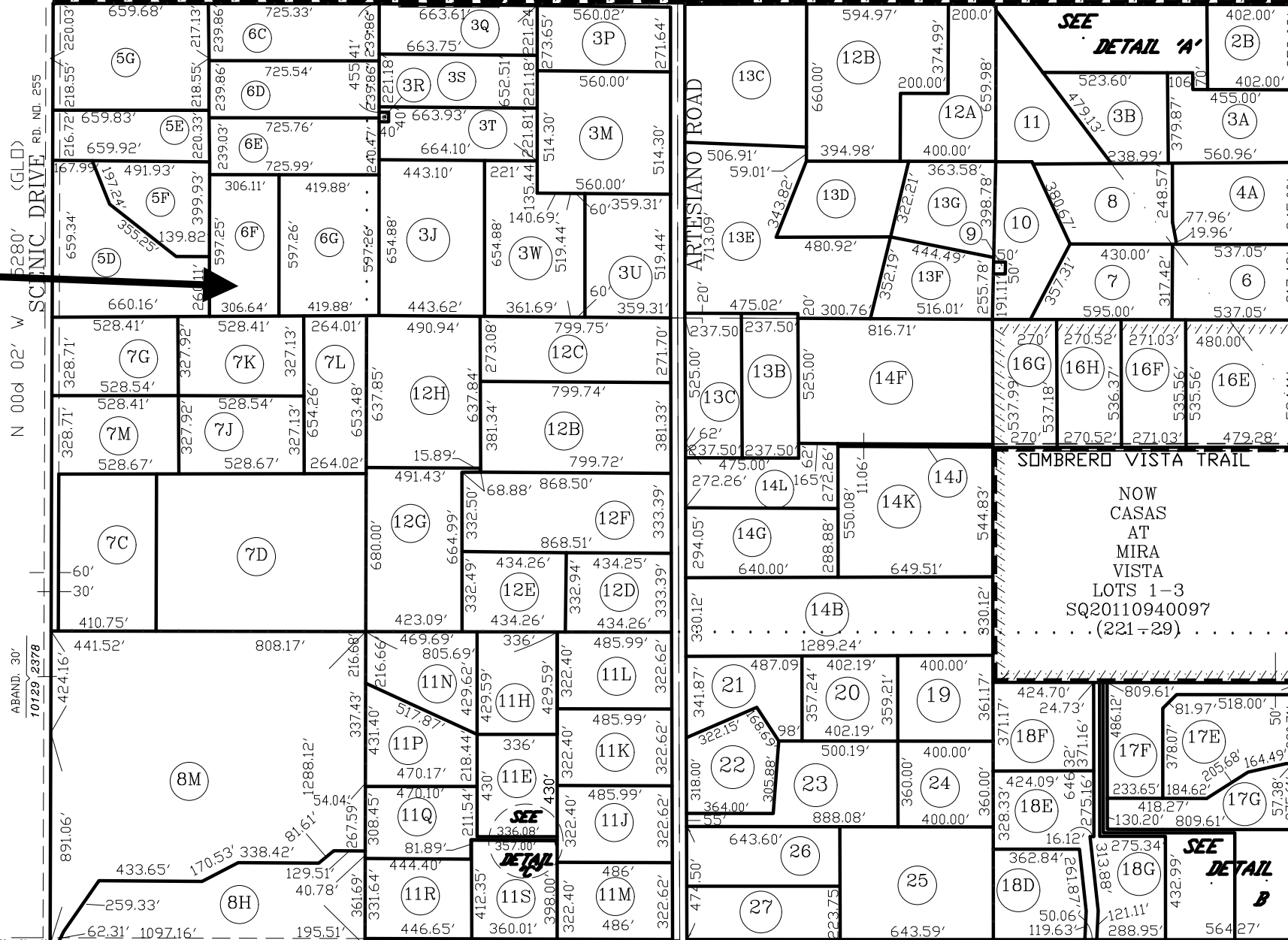


DETAIL C
NO SCALE



DETAIL B
1"=400'

Subject



WAIDE ROAD
N 00d 02' W 5280' (GLD)

SCENIC DRIVE (GLD)
RD. NO. 255
N 00d 02' W 5280' (GLD)

pima county assessor

NORTHWEST F.D.

WEST 5280' (GLD)
INA ROAD

2024-1 SD: 03/30/18

\\T12S\1212E33- 03/01/24 MF

SEE BOOK 40, PAGE 38, R.S.
SEE BOOK 12, PAGE 18, R.S.



FEET